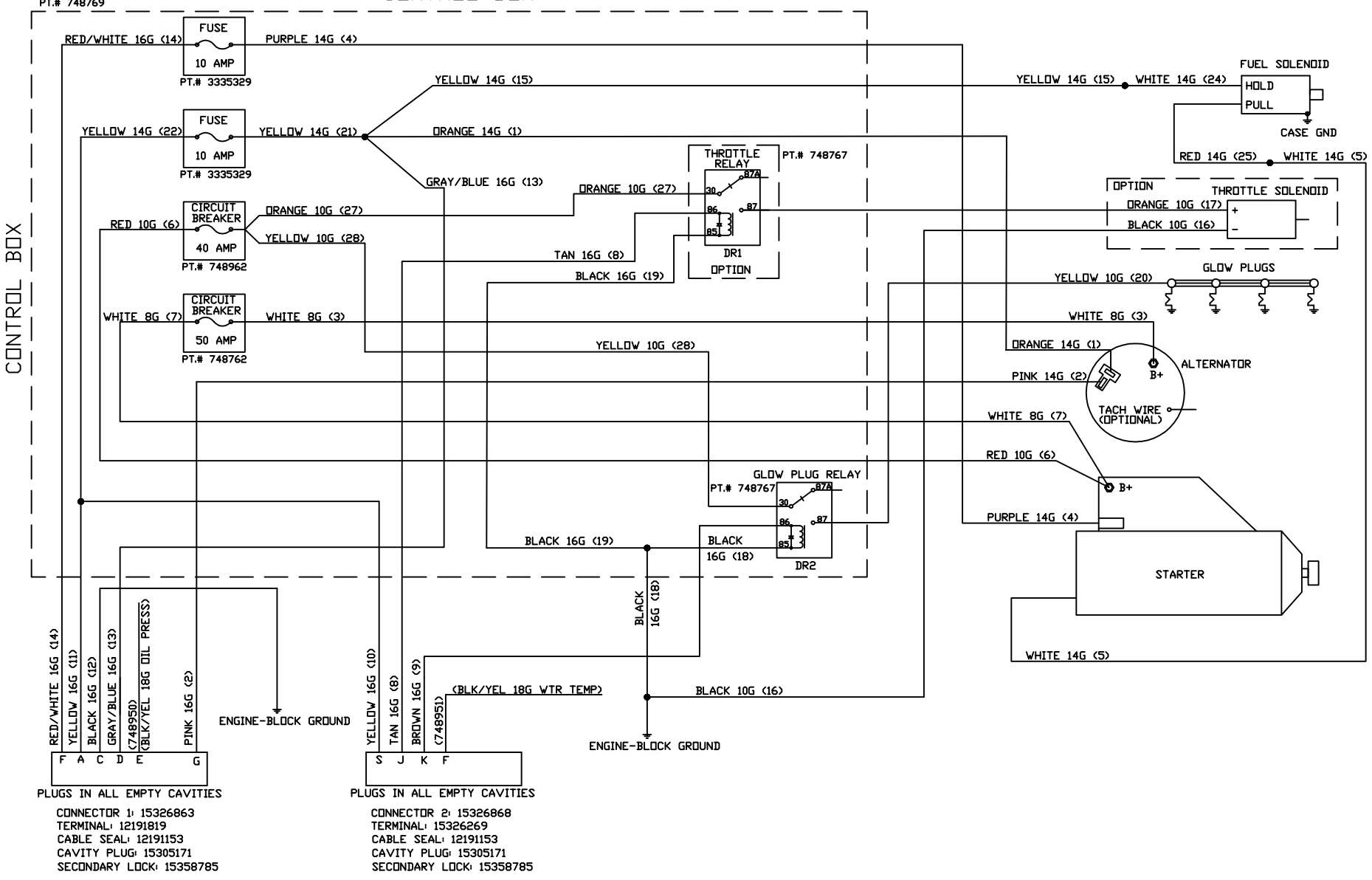


CONTROL BOX



CONNECTOR 1: 15326863
 TERMINAL: 12191819
 CABLE SEAL: 12191153
 CAVITY PLUG: 15305171
 SECONDARY LOCK: 15358785

CONNECTOR 2: 15326868
 TERMINAL: 15326269
 CABLE SEAL: 12191153
 CAVITY PLUG: 15305171
 SECONDARY LOCK: 15358785

DELPHI GT150 CONNECTORS

SEE SHEET 1

REV	ECN	DATE	DESCRIPTION	BY	CONFIDENTIAL THIS DRAWING AND ALL INFORMATION CONTAINED HEREIN ARE THE EXCLUSIVE PROPERTY OF MINUTEMAN INTERNATIONAL, INC. THIS DRAWING IS NOT TO BE COPIED OR OTHERWISE REPRODUCED WITHOUT EXPRESSED WRITTEN PERMISSION OF MINUTEMAN INTERNATIONAL, INC. IN ADDITION, THIS DRAWING MUST BE RETURNED UPON REQUEST. FURTHER, ALL INFORMATION CONTAINED HEREIN MUST BE MAINTAINED CONFIDENTIAL.		TITLE			
B	MIN-13573	09/29/17	ADDED BLUE SAFETY LIGHTS	KHH	14N845 U.S.ROUTE 20 PINGREE GROVE, IL 60140		SCHEMATIC, ELECTRICAL 10X DIESEL			
C	150399	08/01/18	UPDATED OPTIONS & ADD SHEET 5	KHH						
D	150485	11/20/18	UPDATED MERV, PT.#S	KHH						
					ELECTRICAL DESIGN ENGINEER KEN.HARTLEY	CAD BY KHH	DATE 06/21/17	PART NUMBER 745057	REVISION D	PAGE NUMBER 5 OF 5